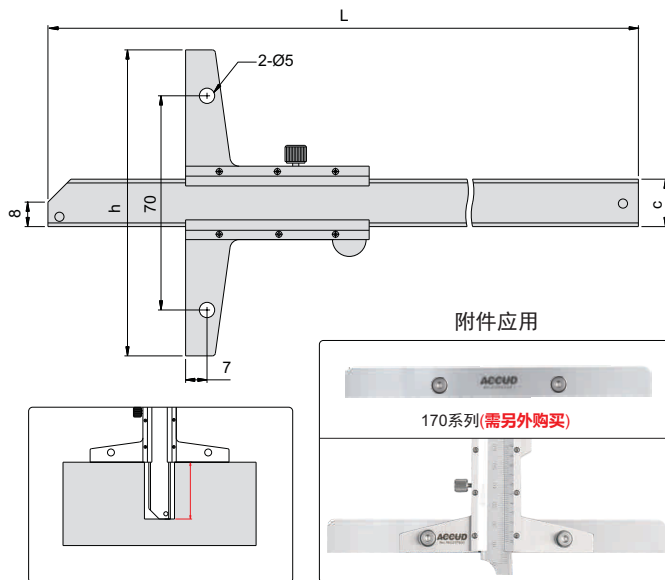


175-006-11

单位: mm

- ◆ 分度值: 0.02mm
- ◆ 不锈钢尺身
- ◆ 刻度面镀暗铬
- ◆ 可选配件: 170系列深度尺加长底座



| 货号 | 量程 | 精度 | c | h | L |
|------------|----------|---------|----|-----|------|
| 175-006-11 | 0-150mm | ±0.03mm | 16 | 100 | 240 |
| 175-008-11 | 0-200mm | ±0.03mm | 16 | 100 | 290 |
| 175-012-11 | 0-300mm | ±0.04mm | 16 | 100 | 390 |
| 175-024-11 | 0-600mm | ±0.05mm | 16 | 150 | 704 |
| 175-040-11 | 0-1000mm | ±0.07mm | 18 | 200 | 1124 |