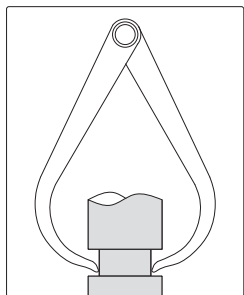
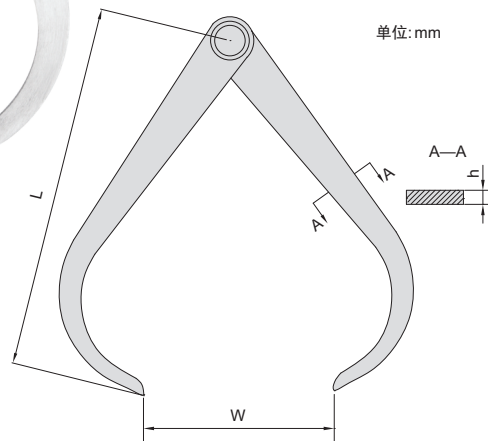


◆ 碳钢尺身



983-006-01



货号	尺寸(L)	厚度范围(W)	h
983-006-01	150mm	0-150mm	2mm
983-008-01	200mm	0-200mm	2mm
983-010-01	250mm	0-250mm	3mm
983-012-01	300mm	0-300mm	3mm
983-016-01	400mm	0-400mm	3mm
983-020-01	500mm	0-500mm	3mm
983-024-01	600mm	0-600mm	3mm
983-032-01	800mm	0-800mm	4mm
983-040-01	1000mm	0-1000mm	4mm

简易量具

* NEW

* NEW

* NEW

* NEW

* NEW